

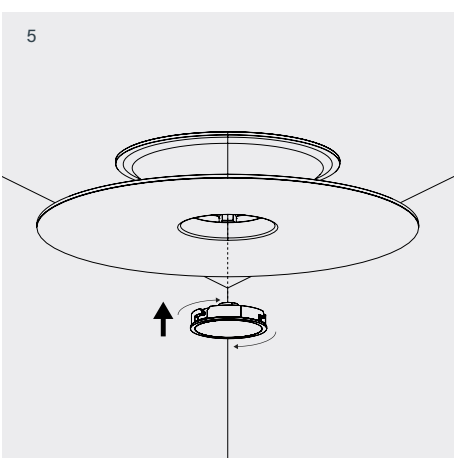
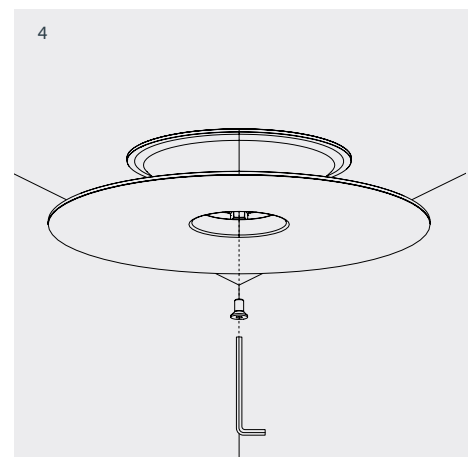
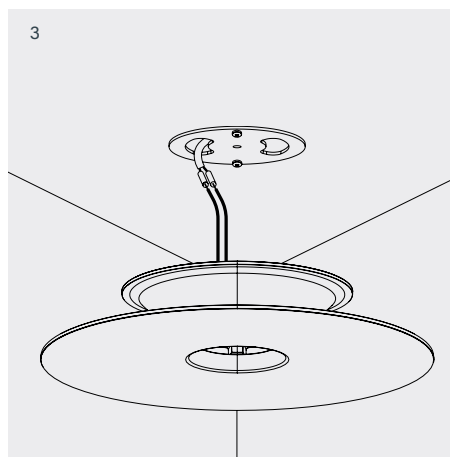
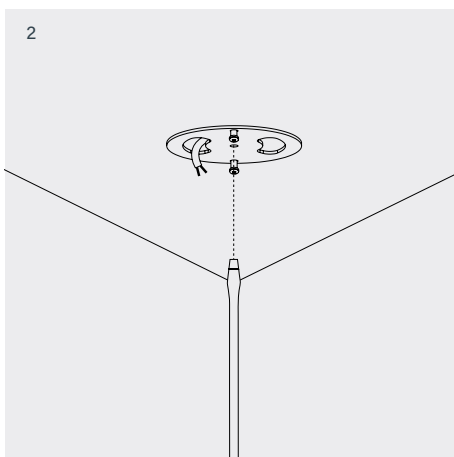
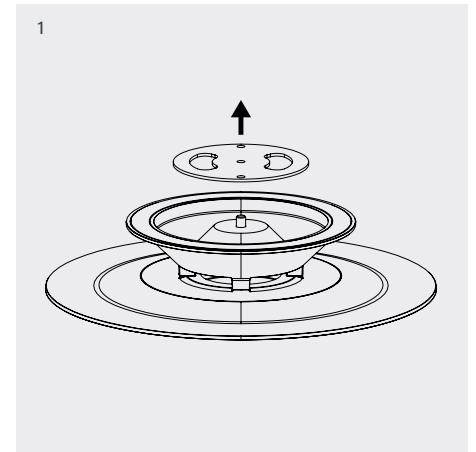
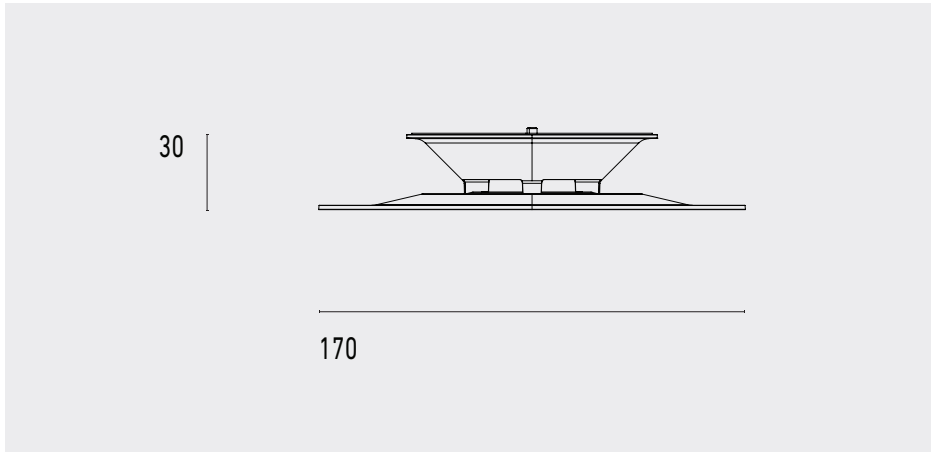
104 17 1001--,----

Planar 170 Surface Washer Type 1

8W 24V-DC

Class III

IP65



Installation below plasterboard

- 1 Remove mounting plate.
- 2 Screw mounting plate to ceiling with provided screws.
- 3 Terminate cables with provided connectors and heat shrink.
- 4 Screw fitting to mounting plate with Planar central countersunk screw.
- 5 Insert centre piece and rotate until locks in place.